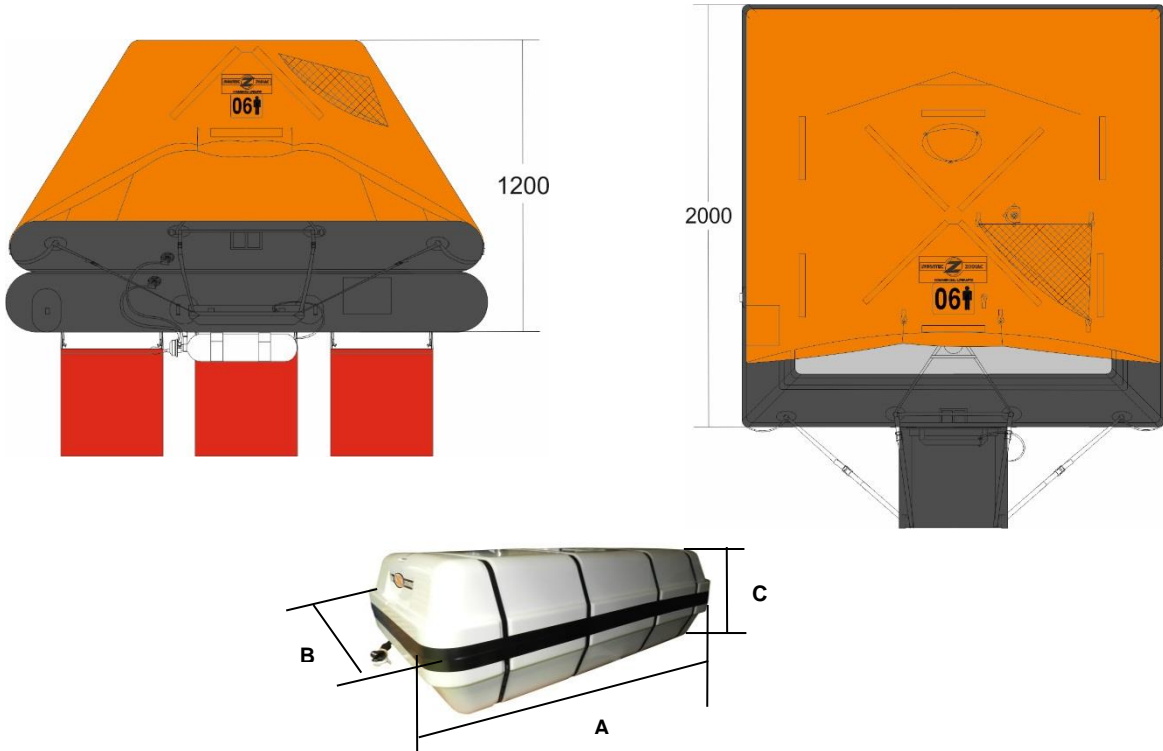


III. THROW OVER BOARD LIFERAFTS (TO) IN XTREM CONTAINER

Throw Over liferafts in XTREM container

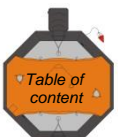


A PACK

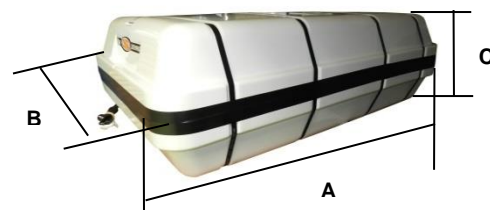
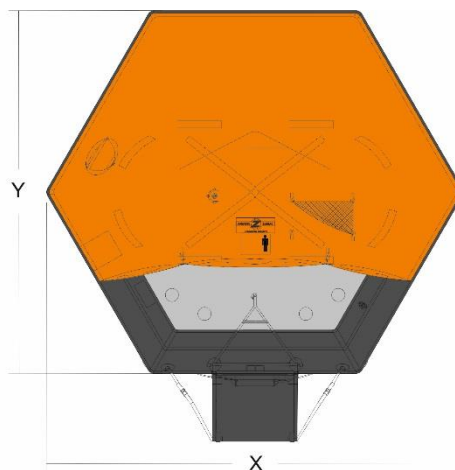
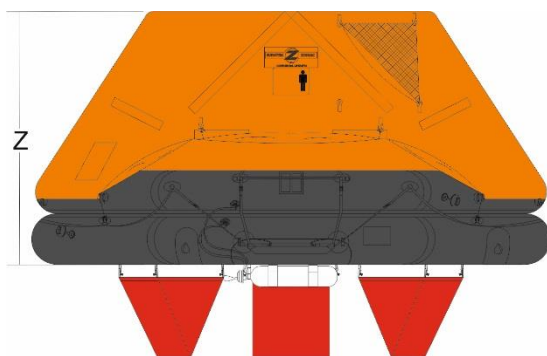
Part number	Liferaft capacity	Container type	Container dimensions			Liferaft net weight (kg / Pounds)	Towing force (kN / lbf)		Approval
			A (mm / ' ")	B (mm / ' ")	C (mm / ' ")		2 knots	3 knots	
Z31065	06 A pack	N137H	790 / 2'7,11"	555 / 1'9,86"	340 / 1'1,39"	58 / 128	0,35 / 78	0,6 / 134	EC - USCG TC - CCS

B PACK

Part number	Liferaft capacity	Container type	Container dimensions			Liferaft net weight (kg / Pounds)	Towing force (kN / lbf)		Approval
			A (mm / ' ")	B (mm / ' ")	C (mm / ' ")		2 knots	3 knots	
Z31066	06 B pack	N137	790 / 2'7,11"	555 / 1'9,86"	270 / 10,63"	42 / 93	0,35 / 78	0,6 / 134	EC - USCG TC - CCS



Throw Over liferafts in XTREM container



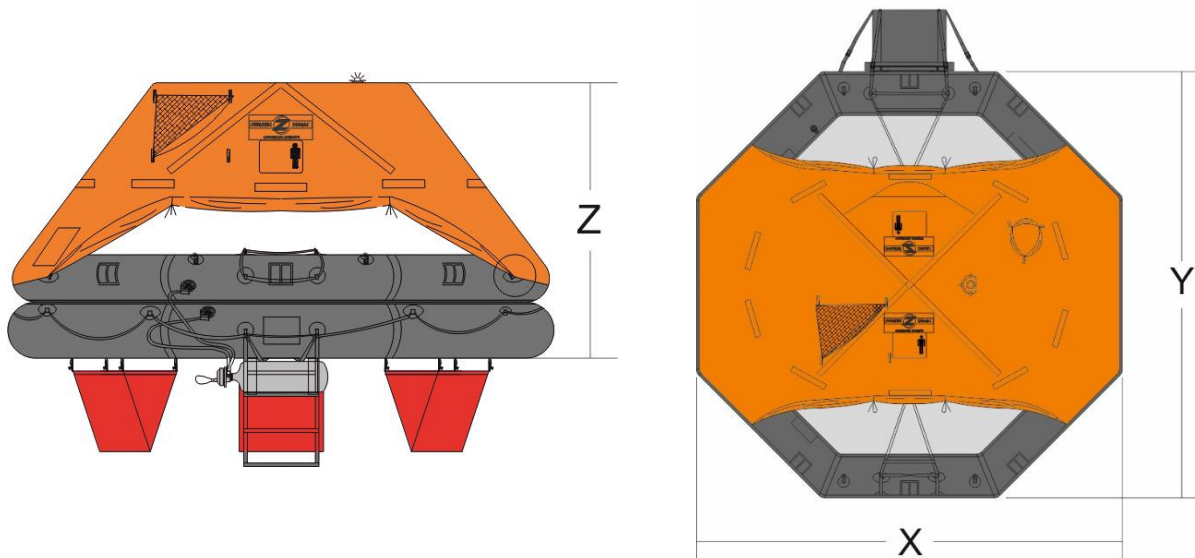
Liferaft capacity	Liferaft dimensions		
	X (mm / ' ")	Y (mm / ' ")	Z (mm / ' ")
08	2480 / 8'1,64"	2480 / 8'1,64"	1400 / 4'7,12"
10	3106 / 10'2,29"	2692 / 8'9,99"	1420 / 4'7,91"

A PACK										
Part number	Liferaft capacity	Container type	Container dimensions			Liferaft net weight (kg / Pounds)	Towing force (kN / lbf)		Approval	
			A (mm / ' ")	B (mm / ' ")	C (mm / ' ")		2 knots	3 knots		
Z31067	08 A pack	N138H	840 / 2'9,08"	570 / 1'10,45"	340 / 1'1,39"	74 / 164	0,42 / 94	0,65 / 146	EC - CCS	
Z31069	10 A pack	N139H	940 / 3'1,01"	640 / 2'1,2"	364 / 1'2,34"	85 / 188	0,45 / 101	0,75 / 168	EC - USCG TC - CCS	

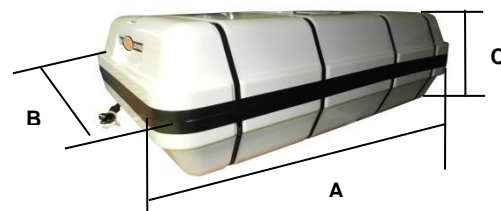
B PACK										
Part number	Liferaft capacity	Container type	Container dimensions			Liferaft net weight (kg / Pounds)	Towing force (kN / lbf)		Approval	
			A (mm / ' ")	B (mm / ' ")	C (mm / ' ")		2 knots	3 knots		
Z31068	08 B pack	N138	840 / 2'9,08"	570 / 1'10,45"	294 / 1'1,58"	54 / 120	0,42 / 94	0,65 / 146	EC - CCS	
Z31070	10 B pack	N139	940 / 3'1,01"	640 / 2'1,2"	314 / 1'0,37"	60 / 133	0,45 / 101	0,75 / 168	EC - USCG TC - CCS	



Throw Over liferafts in XTREM container



Liferaft capacity	Liferaft dimensions		
	X (mm / ")	Y (mm / ")	Z (mm / ")
12	3040 / 9'11,69"	3040 / 9'11,69"	1640 / 5'4,57"
16	3622 / 11'10,6"	3622 / 11'10,6"	1650 / 5'4,97"



A PACK									
Part number	Liferaft capacity	Container type	Container dimensions			Liferaft net weight (kg / Pounds)	Towing force (kN / lbf)		Approval
			A (mm / ")	B (mm / ")	C (mm / ")		2 knots	3 knots	
Z31186	12 A pack	N139H	940 / 3'1,01"	640 / 2'1,2"	364 / 1'2,34"	96 / 212	0,52 / 116	0,9 / 202	EC - USCG TC
Z31073	16 A pack	N140H	1100 / 3'7,31"	650 / 2'1,6"	370 / 1'2,57"	120 / 265	0,63 / 141	0,92 / 206	EC - USCG TC - CCS

B PACK									
Part number	Liferaft capacity	Container type	Container dimensions			Liferaft net weight (kg / Pounds)	Towing force (kN / lbf)		Approval
			A (mm / ")	B (mm / ")	C (mm / ")		2 knots	3 knots	
Z31187	12 B pack	N139	940 / 3'1,01"	640 / 2'1,2"	314 / 1'0,37"	64 / 142	0,52 / 116	0,9 / 202	EC - USCG TC
Z31074	16 B pack	N140	1100 / 3'7,31"	650 / 2'1,6"	340 / 1'1,39"	82 / 181	0,63 / 141	0,92 / 206	EC - USCG TC - CCS

