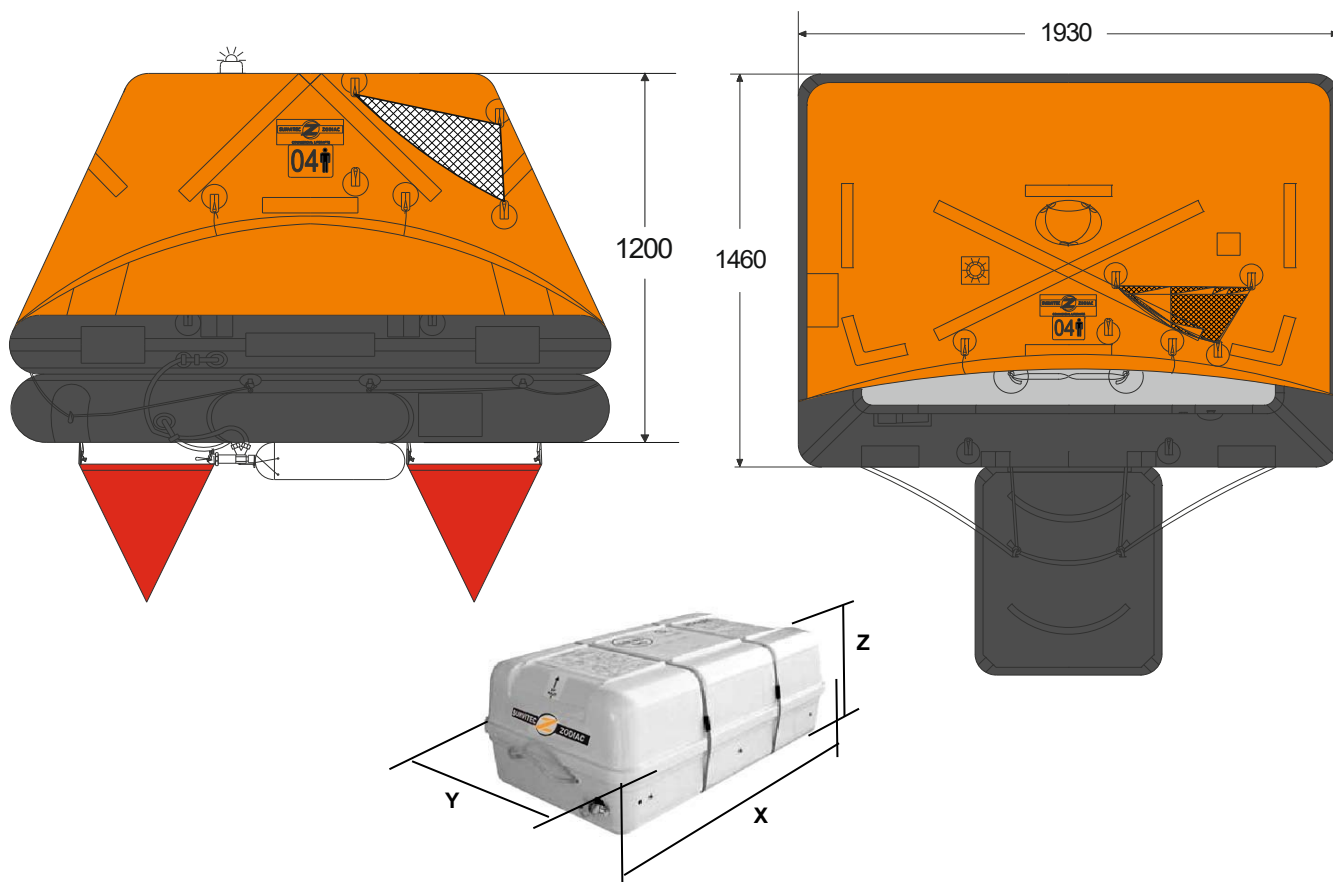
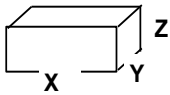


4 MAN THROW OVER BOARD LIFERAFT LOW PROFILE CONTAINER A & B PACK



4 MAN	A PACK			B PACK		
Container	N133			N133		
Dimensions	X: 924 mm X: 3' 0,38"	Y: 574 mm Y: 1' 10,6"	Z: 359 mm Z: 1' 2,14"	X: 924 mm X: 3' 0,38"	Y: 574 mm Y: 1' 10,6"	Z: 359 mm Z: 1' 2,14"
Liferaft Net Weight	54 kg / 120 pounds			46 kg / 102 pounds		
Max. height storage	20 m / 66'			20 m / 66'		
Painter line length	30 m / 99'					
Inflation Cylinder	1 x 4 litre					

 Crate	X: 980 mm X: 3' 2,59"	Y: 600 mm Y: 1' 11,63"	Z: 380 mm Z: 1' 2,97"	X: 980 mm X: 3' 2,59"	Y: 600 mm Y: 1' 11,63"	Z: 380 mm Z: 1' 2,97"
	57 kg / 126 pounds			49 kg / 109 pounds		
	0,224 m ³ / 7,89 cubic foot			0,224 m ³ / 7,89 cubic foot		

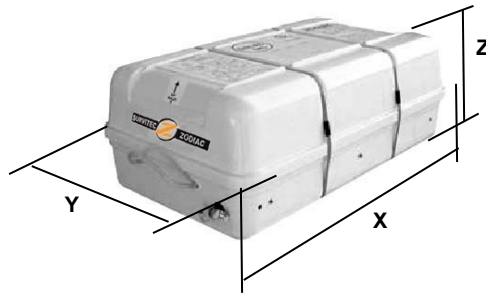
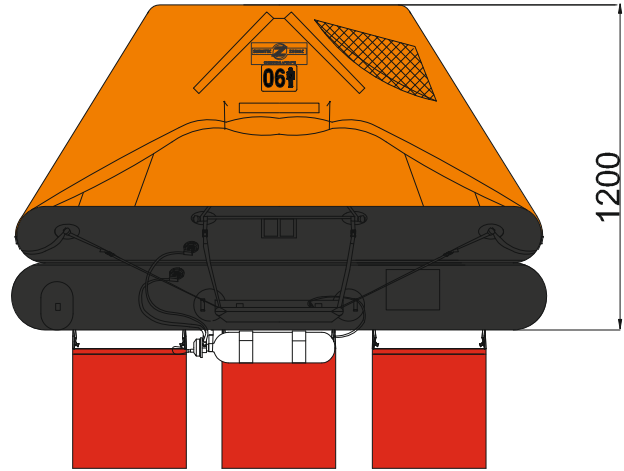
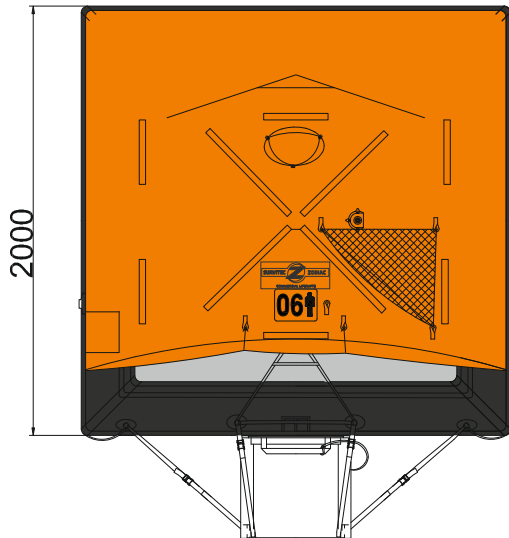
Towing force	2 knots	3 knots
Without sea anchor	35 daN	60 daN
With sea anchor	80 daN	145 daN

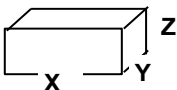
Approvals:	USCG - TC
-------------------	------------------

04 TO LPC.doc	Issue: 4	Date: 08/02/2017
---------------	----------	------------------

Dimensions and weight +/- 5%
SURVITEC SAS reserves the right to change specification without notice.
For installation, add minimum +10mm for clearance to dimensions of the container.

6 MAN THROW OVER BOARD LIFERAFT LOW PROFILE CONTAINER SOLAS A & B PACK



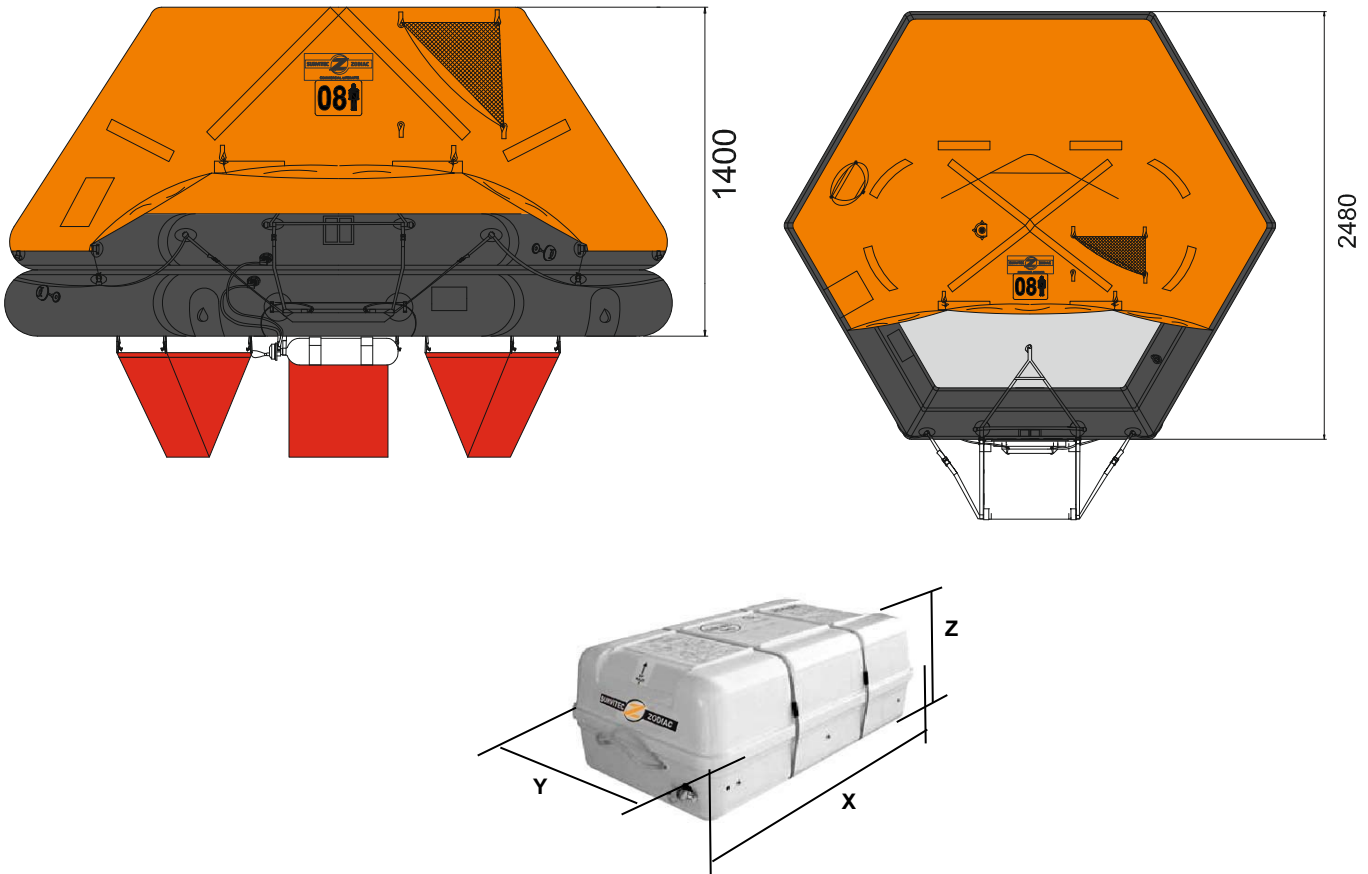
6 MAN	A PACK			B PACK		
Container	N134			N133		
Dimensions	X: 965 mm X: 3' 2"	Y: 596 mm Y: 1' 11,47"	Z: 380 mm Z: 1' 2,97"	X: 924 mm X: 3' 0,38"	Y: 574 mm Y: 1' 10,6"	Z: 359 mm Z: 1' 2,14"
Liferaft Net Weight	66 kg / 146 pounds			51 kg / 113 pounds		
Max. height stowage	18 m / 60'			20 m / 66'		
Painter line length	30 m / 99'					
Inflation Cylinder	1 x 4 liter					
 Crate	X: 1020 mm X: 3' 4,16"	Y: 630 mm Y: 2' 0,81"	Z: 400 mm Z: 1' 3,75"	X: 980 mm X: 3' 2,59"	Y: 600 mm Y: 1' 11,63"	Z: 380 mm Z: 1' 2,97"
	70 kg / 155 pounds			54 kg / 120 pounds		
	0,258 m3 / 9,08 cubic foot			0,224 m3 / 7,89 cubic foot		
Towing force	2 knots			3 knots		
Without sea anchor	35 daN			60 daN		
With sea anchor	80 daN			145 daN		

Approvals: **EC (MED) – USCG – TC – BV – CCS**

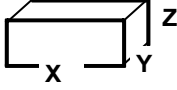
06 TO LPC.doc Issue : 6 Date : 12/10/2015

Dimensions and weight +/- 5%
SURVITEC SAS reserves the right to change specification without notice.
For installation, add minimum +10mm for clearance to dimensions of the container.

8 MAN THROW OVER BOARD LIFERAFT LOW PROFILE CONTAINER SOLAS A & B PACK



8 MAN	A PACK			B PACK		
Container	N135			N134		
Dimensions	X: 1088 mm	Y: 666 mm	Z: 389 mm	X: 965 mm	Y: 596 mm	Z: 380 mm
	X: 3' 6,84"	Y: 2' 2,23"	Z: 1' 3,32"	X: 3' 2"	Y: 1' 11,47"	Z: 1' 2,97"
Liferaft Net Weight	79 kg / 175 pounds			57 kg / 126 pounds		
Max. height stowage	25 m / 83'			25 m / 83'		
Painter line length	35 m / 115'					
Inflation Cylinder	1 x 6,7 liter					

 Crate	X: 1140 mm	Y: 690 mm	Z: 410 mm	X: 1020 mm	Y: 630 mm	Z: 400 mm
	X: 3' 8,89"	Y: 2' 3,17"	Z: 1' 4,15"	X: 3' 4,16"	Y: 2' 0,81"	Z: 1' 3,75"
	84 kg / 186 pounds			61 kg / 135 pounds		
	0,323 m3 / 11,39 cubic foot			0,258 m3 / 9,08 cubic foot		

Towing force	2 knots	3 knots
Without sea anchor	42 daN	65 daN
With sea anchor	87 daN	150 daN

Approvals:	EC (MED) – BV – CCS
-------------------	----------------------------

08 TO LPC EC.doc	Issue : 7	Date : 12/10/2015
------------------	-----------	-------------------

Dimensions and weight +/- 5%
 SURVITEC SAS reserves the right to change specification without notice.
 For installation, add minimum +10mm for clearance to dimensions of the container.